

VIDEO SERIES

AI aluminum

& Bird-watching



Usable with all video camera models and in all shooting conditions.



RECOMMENDED HEADS

Fluid heads are ideal for smooth video panning and field scope viewing.

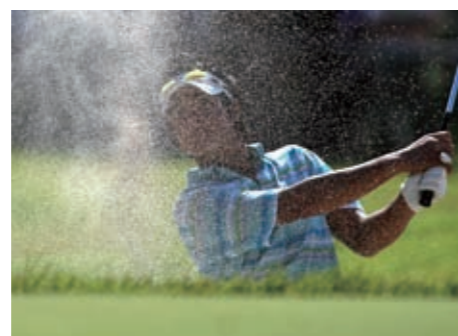


		MAX cm / inch	cm / inch	cm / inch	cm / inch	kg / lbs	Maximum Loading Weight kg / lbs	Suggested Loading Weight kg (lbs)	Section mm / inch	SPARE QUICK RELEASE PLATE
21	SHERPA 538N	159.50 / 62.8	134.00 / 52.76	59.00 / 23.23	64.50 / 25.39	2.17 / 4.78	3.50 / 7.72	2.50 / 5.51	26 / 1.02 (3)	QB-F51, F51L
22	DV-6000	156.50 / 61.61	126.50 / 49.8	51.00 / 20.08	66.00 / 25.98	2.20 / 4.85	5.00 / 11.02	4.00 / 8.82	26 / 1.02 (3)	QB-6RL
23	DV-7000	162.50 / 63.98	140.50 / 55.3	56.80 / 22.36	70.00 / 27.6	3.37 / 7.43	6.00 / 13.23	4.50 / 9.92	29 / 1.14 (3)	QB-6RL
24	SHERPA 6380D	178.80 / 70.39	139.00 / 54.72	29.00 / 11.42	66.00 / 25.98	2.66 / 5.86	4.50 / 9.22	3.50 / 7.72	29 / 1.14 (3)	QB-62 DIN

MONOPOD SERIES

AI aluminum

For a strong sense of stability! Photo opportunities will not be missed because of setup operations.



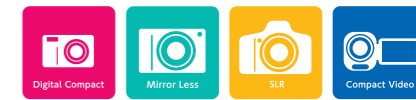
		MAX cm / inch	cm / inch	g / lbs	Maximum Loading Weight kg / lbs	Section mm / inch	HEAD SCREW
25	RUP-L40	158.40 / 62.36	48.60 / 19.13	360 / 0.79	2.00 / 4.41	26 / 1.02 (4)	UNC 1/4 only
26	RUP-L43II	166.50 / 65.55	52.50 / 20.67	468 / 1.03	2.00 / 4.41	26 / 1.02 (4)	UNC 1/4 only
27	RUP-V40	169.00 / 66.54	52.00 / 20.47	470 / 1.04	3.00 / 6.61	29 / 1.14 (4)	UNC 1/4 only
28	RUP-V43D	178.50 / 70.27	59.00 / 23.22	742 / 1.64	3.50 / 7.72	29 / 1.14 (4)	QB-62 DIN



New information leaflet
What's New!

SHERPA SERIES

Proven design, high quality standards for your everyday tripod use.



SHERPA 0000D

The meaning of a number...

PRODUCT NAME	DIAMETER [mm/inch]	SECTION	ATTACHED HEAD	
4370 D	4 [23/0.91]	3 Section	PH-157Q	
4350 D			PH-G40D	
4430 D			QHD-43D	
5370 D	5 [26/1.02]	3 Section	PH-157Q	
5470 D			PH-157Q	
5350 D			PH-G50D	
5430 D			QHD-53D	
538 QN	6 [29/1.14]	4 Section	FHD-51QN	
6350 D			PHD-65D	
6430 D			QHD-63D	
6380 D			Fluid type	FHD-65D



Velbon Corporation
6-1-5 Nogata, Nakano-ku, Tokyo 165-0027 JAPAN
www.velbon.biz

Specifications are subject to change without notice.



SHERPA SERIES

AI
aluminum

Multi tripod with various functions.

Sherpas are the trusted partners who assist mountain climbers in scaling the highest peaks in the world. Definitely not the main player, yet powerful, working in the background, and crucial to success. Velbon makes our tripods to be this sort of partner.

CLASSIC



RECOMMENDED HEADS

DIN
QHD-53D AI aluminum
Height: 99.0mm/3.90inch
Weight: 300g/0.66lbs
UNC 1/4 & 3/8 tripod socket

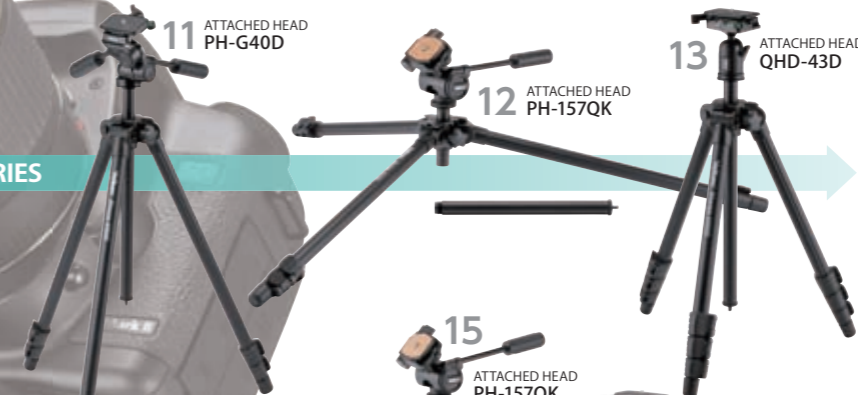


DIN
PH-157Q AI aluminum
Height: 105mm/4.13inch
Weight: 570g/1.26lbs
UNC 3/8 tripod socket
UNC 1/4 tripod screw
Quick release plate: QB-157 DIN



		MAX cm / inch	cm / inch	cm / inch	cm / inch	kg / lbs	Maximum Loading Weight kg / lbs	Suggested Loading Weight kg (lbs)	3-Section mm / inch	SPARE QUICK RELEASE PLATE
01	SHERPA 200R	167.50 / 65.94	137.50 / 54.13	59.00 / 23.23	62.00 / 24.41	1.95 / 4.30	5.00 / 11.02	4.00 / 8.82	26 / 1.02	③ QB-157 DIN
02	SHERPA 250R	162.00 / 63.78	131.20 / 51.65	59.00 / 23.23	62.50 / 24.61	2.00 / 4.41	5.00 / 11.02	4.00 / 8.82	26 / 1.02	③ QB-157 DIN
03	SHERPA 450R	173.00 / 68.11	142.00 / 55.91	64.50 / 25.35	67.50 / 26.57	2.25 / 4.96	5.00 / 11.02	4.00 / 8.82	26 / 1.02	③ QB-157 DIN
04	SHERPA 800R	169.50 / 66.73	139.50 / 54.92	60.00 / 23.62	62.50 / 24.61	1.95 / 4.30	5.00 / 11.02	4.00 / 8.82	26 / 1.02	③ QB-157 DIN
05	SHERPA 803RD	163.20 / 64.25	133.60 / 52.60	59.00 / 23.23	60.50 / 23.82	1.94 / 4.29	4.00 / 8.82	3.00 / 6.61	26 / 1.02	③ QB-62 DIN
06	SHERPA E4300D	168.30 / 66.26	132.00 / 51.97	57.90 / 22.80	60.20 / 23.70	1.72 / 3.79	3.00 / 6.61	2.00 / 4.41	23 / 0.91	③ QB-157 DIN
07	SHERPA E4300D(A)	157.80 / 62.13	121.50 / 47.83	47.40 / 18.66	51.20 / 20.16	1.14 / 2.51	3.00 / 6.61	2.00 / 4.41	23 / 0.91	③ QB-157 DIN
08	SHERPA E5300D	173.00 / 68.11	135.4 / 53.31	60.40 / 23.78	63.20 / 24.88	2.04 / 4.50	3.50 / 7.72	2.50 / 5.51	26 / 1.02	③ QB-157 DIN
09	SHERPA E5300D(A)	162.50 / 63.98	124.90 / 49.17	49.80 / 19.61	53.80 / 21.18	1.46 / 3.22	3.50 / 7.72	2.50 / 5.51	26 / 1.02	③ QB-157 DIN
10	SHERPA E6300D(A)	167.90 / 66.10	128.00 / 50.39	51.40 / 20.24	55.60 / 21.89	1.77 / 3.90	4.50 / 9.92	3.50 / 7.72	29 / 1.14	③ QB-62 DIN

4000 SERIES



RECOMMENDED HEADS

DIN
PH-G40D AI aluminum
Height: 93.5mm/3.68inch
Weight: 450g/0.99lbs
UNC 1/4 tripod socket

DIN
PH-157QK AI aluminum
Height: 105mm/4.13inch
Weight: 600g/1.32lbs
UNC 3/8 tripod socket
UNC 1/4 tripod screw
Quick Release Plate : QB-157 DIN

DIN
QHD-43D AI aluminum
Height: 92.0mm/3.62inch
Weight: 265g/0.58lbs
UNC 1/4 & 3/8 tripod socket

5000 SERIES



DIN
PH-G50D AI aluminum
Height: 103mm/4.06inch
Weight: 535g/1.18lbs
UNC 1/4 tripod socket

DIN
QHD-53D AI aluminum
Height: 99.0mm/3.90inch
Weight: 300g/0.66lbs
UNC 1/4 & 3/8 tripod socket

6000 SERIES



DIN
PHD-55D Mg magnesium
Height: 109mm/4.29inch
Weight: 450g/0.99lbs
Tripod mounting screw 1/4inch & 3/8inch

DIN
FHD-65D Mg magnesium
Height: 116mm/4.57inch
Weight: 940g/2.07lbs
1/4 inch tripod socket
Quick release plate: QB-62 DIN

		MAX cm / inch	cm / inch	cm / inch	cm / inch	kg / lbs	Maximum Loading Weight kg / lbs	Suggested Loading Weight kg (lbs)	3-Section mm / inch	SPARE QUICK RELEASE PLATE
11	SHERPA 4350D	161.00 / 63.39	129.40 / 50.94	24.20 / 9.53	58.50 / 23.03	1.51 / 3.33	3.50 / 7.72	2.50 / 5.51	23 / 0.91	③ QB-62 DIN
12	SHERPA 4370D	163.30 / 64.29	132.30 / 52.09	25.80 / 10.16	60.30 / 23.74	1.57 / 3.46	3.50 / 7.72	2.50 / 5.51	23 / 0.91	③ QB-157 DIN
13	SHERPA 4430D	151.90 / 59.80	127.30 / 50.12	22.20 / 8.74	47.50 / 18.70	1.30 / 2.87	3.50 / 7.72	2.50 / 5.51	23 / 0.91	④ QB-62 DIN
14	SHERPA 5350D	169.80 / 66.85	134.80 / 53.07	28.00 / 11.02	62.00 / 24.41	1.93 / 4.25	4.00 / 8.82	3.00 / 6.61	26 / 1.02	③ QB-62 DIN
15	SHERPA 5370D	170.00 / 66.93	135.30 / 53.27	28.20 / 11.10	63.00 / 24.80	1.96 / 4.32	4.00 / 8.82	3.00 / 6.61	26 / 1.02	③ QB-157 DIN
16	SHERPA 5430D	157.00 / 61.81	131.00 / 51.57	24.90 / 9.80	51.00 / 20.08	1.63 / 3.59	4.00 / 8.82	3.00 / 6.61	26 / 1.02	④ QB-62 DIN
17	SHERPA 5470D	157.60 / 62.05	131.30 / 51.69	25.50 / 10.04	52.40 / 20.63	1.96 / 4.32	4.00 / 8.82	3.00 / 6.61	26 / 1.02	④ QB-157 DIN
18	SHERPA 6350D	179.00 / 70.47	139.50 / 54.92	29.70 / 11.69	67.00 / 26.38	2.27 / 5.00	4.50 / 9.92	3.50 / 7.72	29 / 1.14	④ QB-62 DIN
19	SHERPA 6380D	178.80 / 70.39	139.00 / 54.72	29.00 / 11.42	66.00 / 25.98	2.66 / 5.86	4.50 / 9.92	3.50 / 7.72	29 / 1.14	③ QB-157 DIN
20	SHERPA 6430D	163.00 / 64.17	133.50 / 52.56	25.20 / 9.92	53.00 / 20.87	2.01 / 4.43	4.50 / 9.92	3.50 / 7.72	29 / 1.14	④ QB-62 DIN

SHERPA series / Video series / Monopod Size comparison (with elevator not extended)

