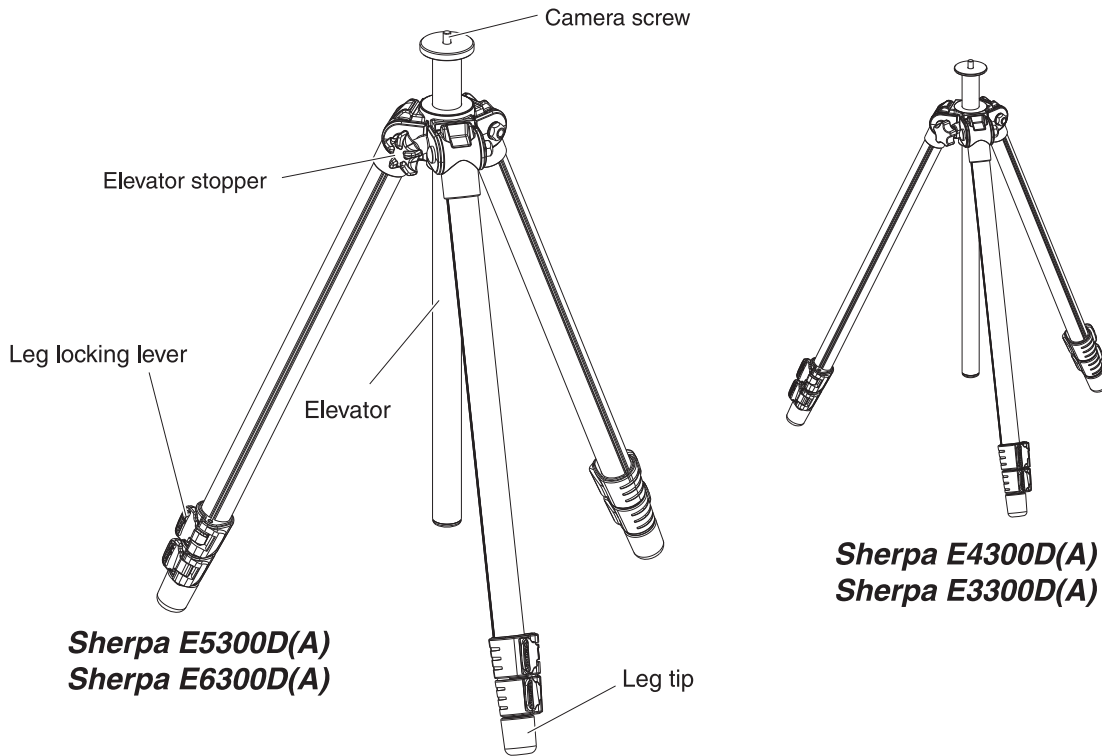


## Identification of main parts

Thank you very much for choosing Velbon Tripod.  
Please carefully read this manual before starting use so that you can handle this product correctly.

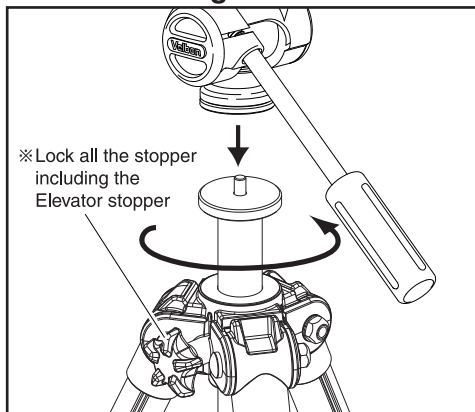


When moving from place to place, please ensure you detach your camera from the tripod, otherwise movement could cause your camera to detach and fall.

※ The manufacturer reserves the right to change specification, design, and size without prior notice.

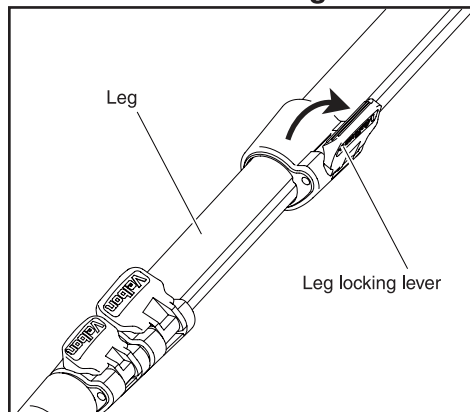
Specifications	Sherpa E3300D(A)	Sherpa E4300D(A)	Sherpa E5300D(A)	Sherpa E6300D(A)
Extended height	1,578mm(62.13in.)	1,578mm(62.13in.)	1,625mm(63.98in.)	1,679mm(66.10in.)
Centre column extension	363mm(14.29in.)	363mm(14.29in.)	376mm(14.80in.)	399mm(15.71in.)
Closed length	512mm(20.16in.)	512mm(20.16in.)	538mm(21.18in.)	556mm(21.89in.)
Weight	1,136g(2.50lbs.)	1,136g(2.50lbs.)	1,463g(3.32lbs.)	1,770g(3.90lbs.)
Ideal load	2.5kg(5.51lbs.)	2.5kg(5.51lbs.)	3.5kg(6.61lbs.)	3.5kg(7.72lbs.)
Leg sections	3	3	3	3
Camera screw	UNC 1/4 inch	UNC 1/4 inch	UNC 1/4 inch	UNC 1/4 inch

### 1. How to change the Head



In order to remove the Head to change, lock all the stoppers on the Head and The Tripod. Then turn the whole unit of the Head toward anti-clockwise direction as the arrow showing. The tripod screw is 1/4 inch. So please choose the Head having the 1/4 inch screw at the bottom of the head.

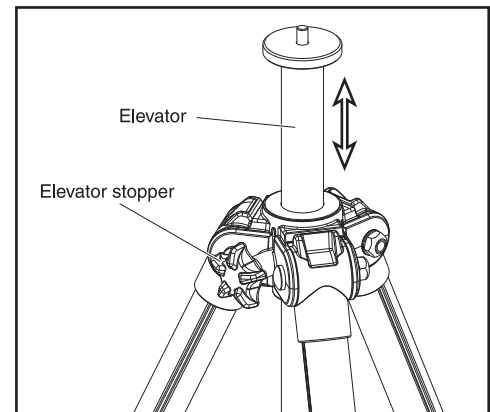
### 2. Extension of the Legs



To adjust leg extension, open Leg locking lever and extend leg to the desired position and lock it. Use upper leg sections as much as possible for better stability.

⚠ When locking levers, watch fingers in order to avoid pinching fingers.

### 3. How to use the Elevator



Unlocking Elevator stopper, extend the Elevator to the desired height. Then lock the Elevator stopper. Hold the Elevator tightly while extending or closing down otherwise it may suddenly come down to damage your camera or harm your fingers. Be careful.